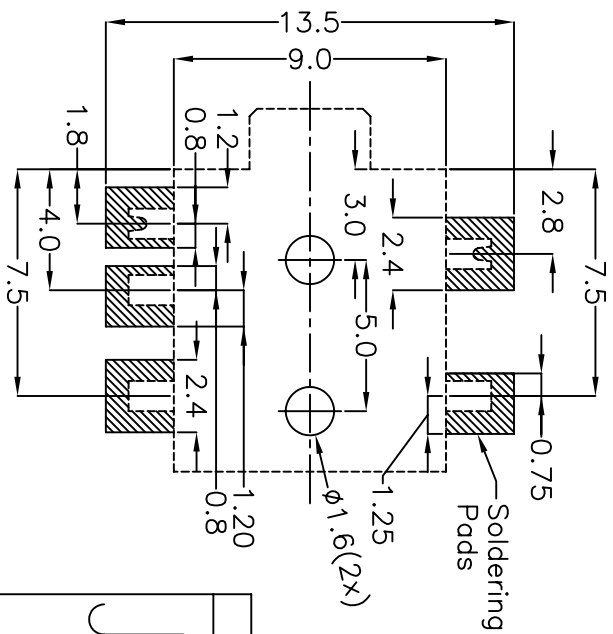
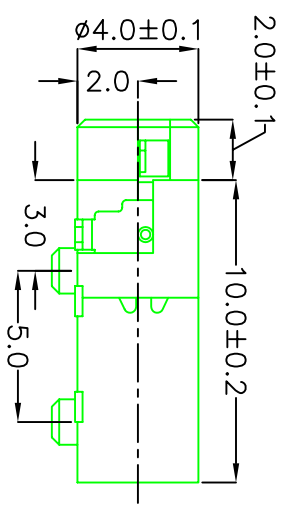
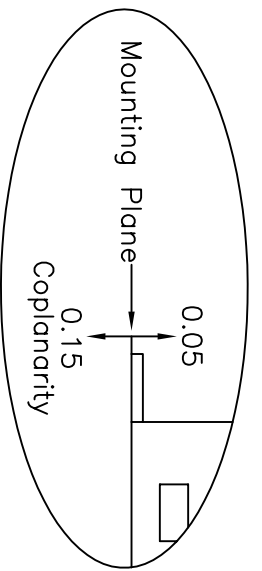
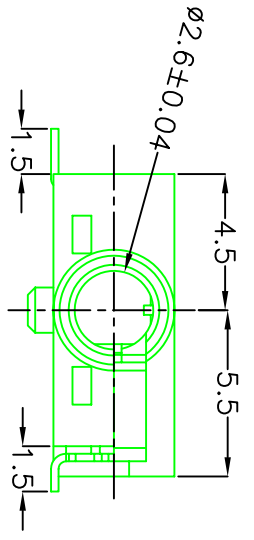
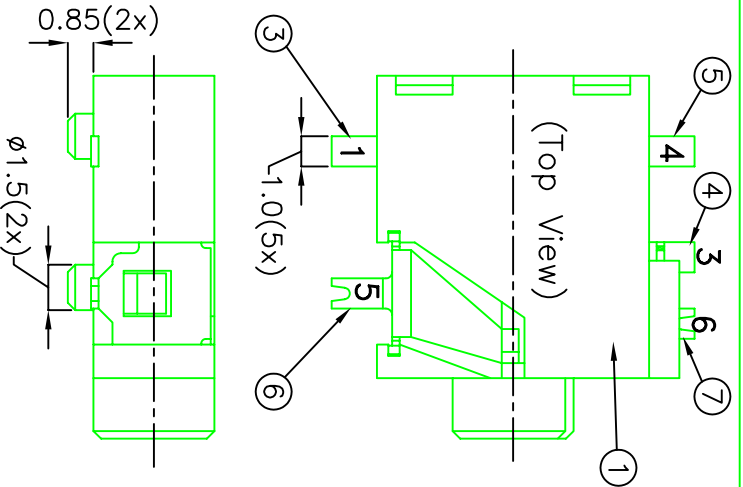


**Specifications**  
 Rated Voltage: 16VDC  
 Rated Current: 300mA  
 Contact Resistance: 100 mOHMS or less under all conditions including after life testing.  
 Insulation Resistance: 100 M OHMS or greater at 500VDC  
 Voltage: 250V AC RMS for 1 Minute  
 Life: 5,000 cycles min.



Pad Layout  
Top View

7	Ground<M6>	PBS	Gold Flash	30T
6	Signal<M5>	PBS	Gold Flash	30T
5	Tip Contact<M4>	Ti-Cu Alloy	Gold Flash	20T
4	Shunt (Tip)<M3>	Brass	Gold Flash	30T
3	Ring Contact<M1>	Ti-Cu Alloy	Gold Flash	20T
2	Cover	PY6T	Black	UL94V-0 Rated
1	Plastic Housing<P1>	Polyamide	Black	UL94V-0 Rated
ltm	Term	Material	Color	Plating Remark

**9615 SW Allen, Suite 103**  
 Beaverton, OR 97005  
 Phone: (503) 643-4899  
 800-275-4899  
 Fax: (503) 643-6129  
 Website: [www.cuistack.com](http://www.cuistack.com)



TITLE: SMT Audio Jack w/4 Conductors 2.5mm

PART NO. SJ-42515TS-SMT UNITS: Millimeters  
 DRAWN BY: Todd R. White APPROVED BY: SCALE: 4x

